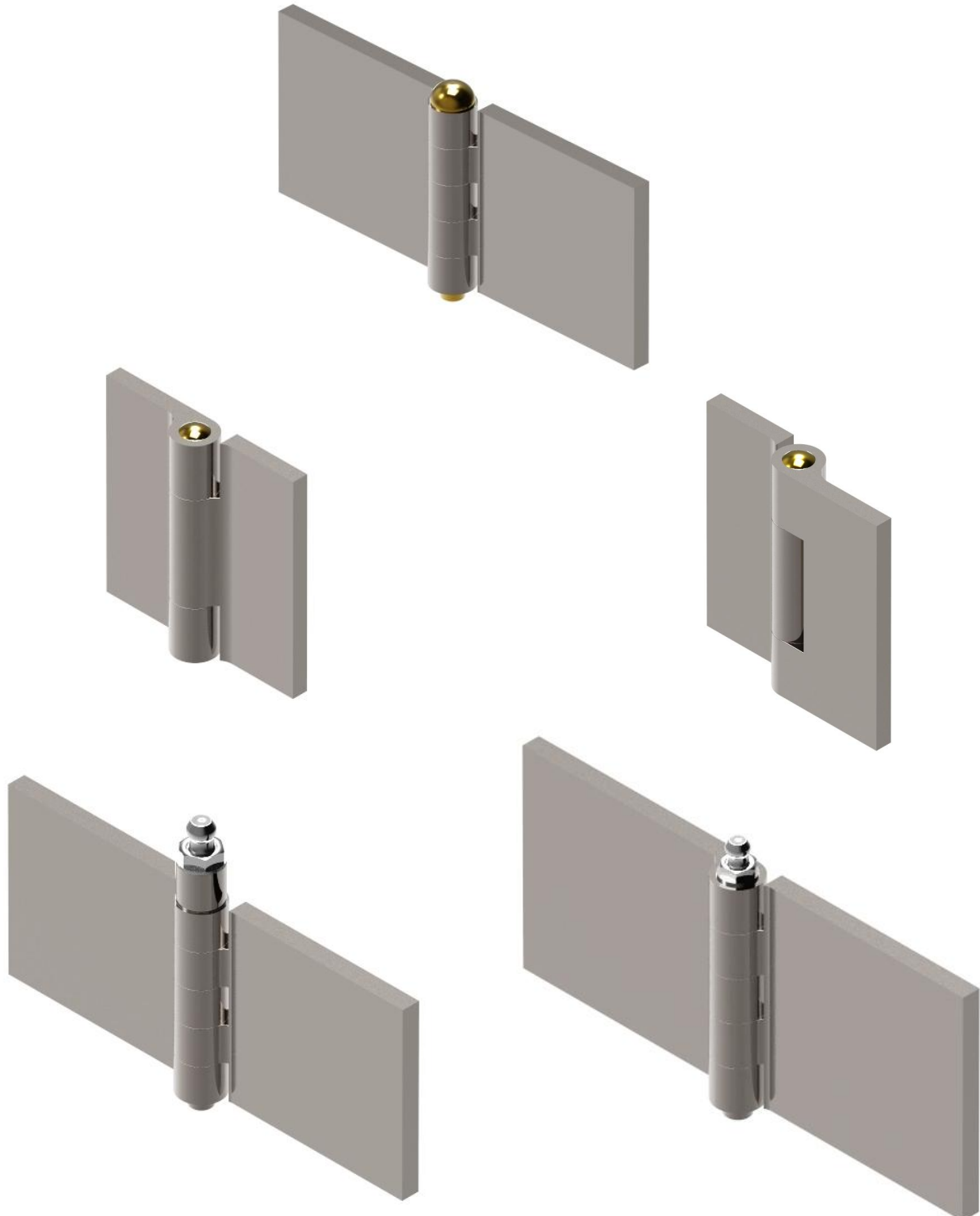




## Profilscharniere und Gelenkbänder



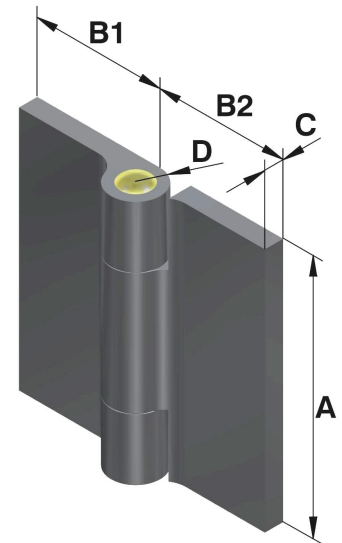
## Profilscharniere und Gelenkbänder nach DIN 31211

Gelenkbänder nach DIN 31211-N1  
mit vernietetem Stift

FES mit festem Stahlstift

FMS mit festem Messingstift

| Artikel Nr. |                 |     | Abmessungen in mm                 |     |     |     |    |    | Stift<br>Ø |
|-------------|-----------------|-----|-----------------------------------|-----|-----|-----|----|----|------------|
| Art.Nr.     | Aus-<br>führung |     | Werkstoff<br>unbehandelt<br>Stahl | A   | B1  | B2  | C  | D  |            |
| 86.1000.    | FES             | FMS | .00                               | 40  | 20  | 20  | 3  | 8  | 4          |
| 86.1001.    | FES             | FMS | .00                               | 40  | 20  | 40  | 3  | 8  | 4          |
| 86.1002.    | FES             | FMS | .00                               | 40  | 40  | 40  | 3  | 8  | 4          |
| 86.1003.    | FES             | FMS | .00                               | 60  | 30  | 30  | 5  | 12 | 6          |
| 86.1004.    | FES             | FMS | .00                               | 60  | 30  | 60  | 5  | 12 | 6          |
| 86.1005.    | FES             | FMS | .00                               | 60  | 60  | 60  | 5  | 12 | 6          |
| 86.1006.    | FES             | FMS | .00                               | 80  | 40  | 40  | 7  | 16 | 8          |
| 86.1007.    | FES             | FMS | .00                               | 80  | 40  | 80  | 7  | 16 | 8          |
| 86.1008.    | FES             | FMS | .00                               | 80  | 80  | 80  | 7  | 16 | 8          |
| 86.1009.    | FES             | FMS | .00                               | 100 | 110 | 110 | 10 | 26 | 13         |

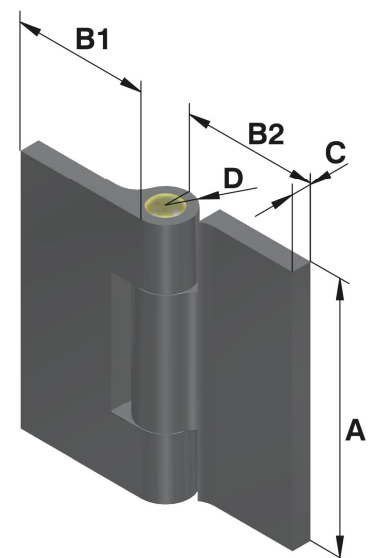


Gelenkbänder nach DIN 31211-N2  
versetzt montiert mit vernietetem Stift

FES mit festem Stahlstift

FMS mit festem Messingstift

| Artikel Nr. |                 |     | Abmessungen in mm                 |     |     |     |    |    | Stift<br>Ø |
|-------------|-----------------|-----|-----------------------------------|-----|-----|-----|----|----|------------|
| Art.Nr.     | Aus-<br>führung |     | Werkstoff<br>unbehandelt<br>Stahl | A   | B1  | B2  | C  | D  |            |
| 86.1010.    | FES             | FMS | .00                               | 40  | 20  | 20  | 3  | 8  | 4          |
| 86.1011.    | FES             | FMS | .00                               | 40  | 20  | 40  | 3  | 8  | 4          |
| 86.1012.    | FES             | FMS | .00                               | 40  | 40  | 40  | 3  | 8  | 4          |
| 86.1013.    | FES             | FMS | .00                               | 60  | 30  | 30  | 5  | 12 | 6          |
| 86.1014.    | FES             | FMS | .00                               | 60  | 30  | 60  | 5  | 12 | 6          |
| 86.1015.    | FES             | FMS | .00                               | 60  | 60  | 60  | 5  | 12 | 6          |
| 86.1016.    | FES             | FMS | .00                               | 80  | 40  | 40  | 7  | 16 | 8          |
| 86.1017.    | FES             | FMS | .00                               | 80  | 40  | 80  | 7  | 16 | 8          |
| 86.1018.    | FES             | FMS | .00                               | 80  | 80  | 80  | 7  | 16 | 8          |
| 86.1019.    | FES             | FMS | .00                               | 100 | 110 | 110 | 10 | 26 | 13         |

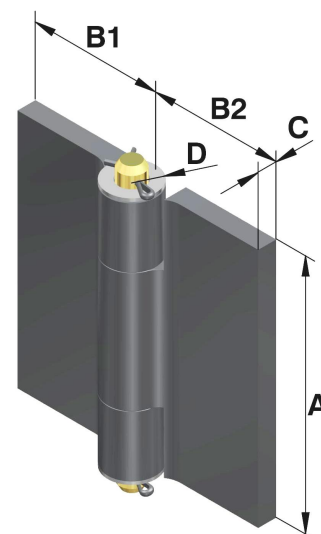


## Profilscharniere und Gelenkbänder nach DIN 31211

Gelenkbänder nach DIN 31211-B1  
mit ausziehbarem Stift inkl. Scheibe und Splint

AES mit ausziehbarem Stahlstift

AMS mit ausziehbarem Messingstift

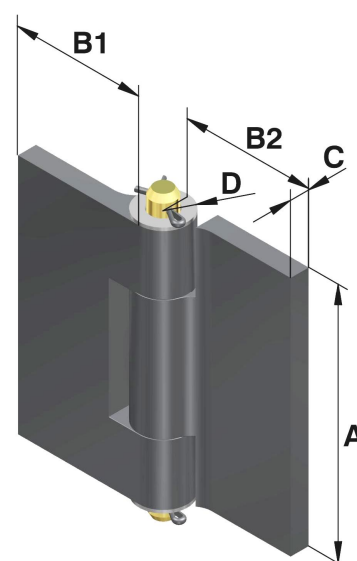


| Artikel Nr. |            |     |                      | Abmessungen in mm |     |     |    |    |         |
|-------------|------------|-----|----------------------|-------------------|-----|-----|----|----|---------|
| Art.Nr.     | Ausführung |     | Werkstoff            | A                 | B1  | B2  | C  | D  | Stift Ø |
|             |            |     | unbehandelt<br>Stahl |                   |     |     |    |    |         |
| 86.1020.    | AES        | AMS | .00                  | 40                | 20  | 20  | 3  | 8  | 4       |
| 86.1021.    | AES        | AMS | .00                  | 40                | 20  | 40  | 3  | 8  | 4       |
| 86.1022.    | AES        | AMS | .00                  | 40                | 40  | 40  | 3  | 8  | 4       |
| 86.1023.    | AES        | AMS | .00                  | 60                | 30  | 30  | 5  | 12 | 6       |
| 86.1024.    | AES        | AMS | .00                  | 60                | 30  | 60  | 5  | 12 | 6       |
| 86.1025.    | AES        | AMS | .00                  | 60                | 60  | 60  | 5  | 12 | 6       |
| 86.1026.    | AES        | AMS | .00                  | 80                | 40  | 40  | 7  | 16 | 8       |
| 86.1027.    | AES        | AMS | .00                  | 80                | 40  | 80  | 7  | 16 | 8       |
| 86.1028.    | AES        | AMS | .00                  | 80                | 80  | 80  | 7  | 16 | 8       |
| 86.1029.    | AES        | AMS | .00                  | 100               | 110 | 110 | 10 | 26 | 13      |

Gelenkbänder nach DIN 31211-B2  
versetzt montiert mit ausziehbarem Stift  
inkl. Scheibe und Splint

AES mit ausziehbarem Stahlstift

AMS mit ausziehbarem Messingstift



| Artikel Nr. |            |     |                      | Abmessungen in mm |     |     |    |    |         |
|-------------|------------|-----|----------------------|-------------------|-----|-----|----|----|---------|
| Art.Nr.     | Ausführung |     | Werkstoff            | A                 | B1  | B2  | C  | D  | Stift Ø |
|             |            |     | unbehandelt<br>Stahl |                   |     |     |    |    |         |
| 86.1030.    | AES        | AMS | .00                  | 40                | 20  | 20  | 3  | 8  | 4       |
| 86.1031.    | AES        | AMS | .00                  | 40                | 20  | 40  | 3  | 8  | 4       |
| 86.1032.    | AES        | AMS | .00                  | 40                | 40  | 40  | 3  | 8  | 4       |
| 86.1033.    | AES        | AMS | .00                  | 60                | 30  | 30  | 5  | 12 | 6       |
| 86.1034.    | AES        | AMS | .00                  | 60                | 30  | 60  | 5  | 12 | 6       |
| 86.1035.    | AES        | AMS | .00                  | 60                | 60  | 60  | 5  | 12 | 6       |
| 86.1036.    | AES        | AMS | .00                  | 80                | 40  | 40  | 7  | 16 | 8       |
| 86.1037.    | AES        | AMS | .00                  | 80                | 40  | 80  | 7  | 16 | 8       |
| 86.1038.    | AES        | AMS | .00                  | 80                | 80  | 80  | 7  | 16 | 8       |
| 86.1039.    | AES        | AMS | .00                  | 100               | 110 | 110 | 10 | 26 | 13      |

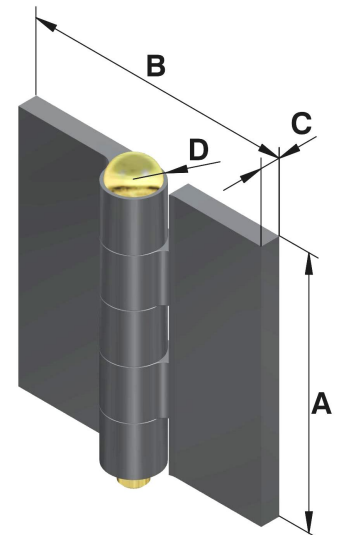
## Profilscharniere und Gelenkbänder nach DIN 31211

### Profilscharniere 3mm mit Halbrundkopfstift

FES mit festem Stahlstift

FMS mit festem Messingstift

| Artikel Nr. |            |             |       | Abmessungen in mm |     |   |   |         |
|-------------|------------|-------------|-------|-------------------|-----|---|---|---------|
| Art.Nr.     | Ausführung | Werkstoff   |       | A                 | B   | C | D | Stift Ø |
|             |            | unbehandelt | Stahl |                   |     |   |   |         |
| 86.1040.    | FES        | -           | .00   | 30                | 80  | 3 | 8 | 4       |
| 86.1041.    | FES        | -           | .00   | 30                | 120 | 3 | 8 | 4       |
| 86.1042.    | FES        | FMS         | .00   | 40                | 40  | 3 | 8 | 4       |
| 86.1043.    | FES        | FMS         | .00   | 40                | 80  | 3 | 8 | 4       |
| 86.1044.    | FES        | FMS         | .00   | 40                | 120 | 3 | 8 | 4       |
| 86.1045.    | FES        | -           | .00   | 50                | 80  | 3 | 8 | 4       |
| 86.1046.    | FES        | -           | .00   | 50                | 120 | 3 | 8 | 4       |
| 86.1047.    | FES        | -           | .00   | 60                | 80  | 3 | 8 | 4       |
| 86.1048.    | FES        | -           | .00   | 60                | 120 | 3 | 8 | 4       |



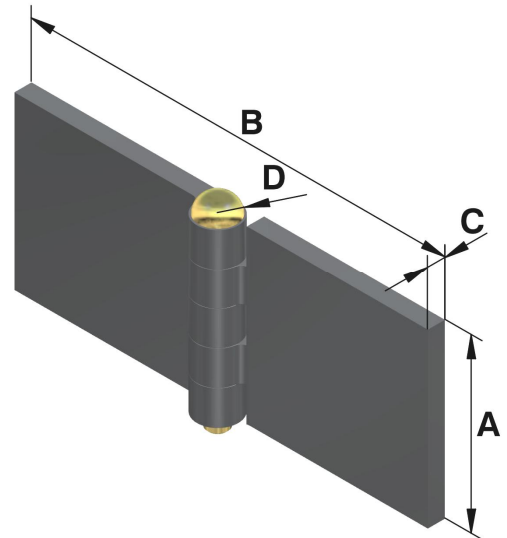
## Profilscharniere und Gelenkbänder nach DIN 31211

### Profilscharniere 5mm

mit Halbrundkopfstift

FES mit festem Stahlstift

FMS mit festem Messingstift



| Artikel Nr. |            |                      | Abmessungen in mm |     |     |   |         |   |
|-------------|------------|----------------------|-------------------|-----|-----|---|---------|---|
| Art.Nr.     | Ausführung | Werkstoff            | A                 | B   | C   | D | Stift Ø |   |
|             |            | unbehandelt<br>Stahl |                   |     |     |   |         |   |
| 86.1050.    | FES        | FMS                  | .00               | 30  | 60  | 5 | 12      | 6 |
| 86.1051.    | FES        | FMS                  | .00               | 30  | 120 | 5 | 12      | 6 |
| 86.1052.    | FES        | FMS                  | .00               | 30  | 160 | 5 | 12      | 6 |
| 86.1053.    | FES        | FMS                  | .00               | 30  | 200 | 5 | 12      | 6 |
| 86.1054.    | FES        | FMS                  | .00               | 40  | 60  | 5 | 12      | 6 |
| 86.1055.    | FES        | FMS                  | .00               | 40  | 120 | 5 | 12      | 6 |
| 86.1056.    | FES        | FMS                  | .00               | 40  | 160 | 5 | 12      | 6 |
| 86.1057.    | FES        | FMS                  | .00               | 40  | 200 | 5 | 12      | 6 |
| 86.1058.    | FES        | -                    | .00               | 40  | 240 | 5 | 12      | 6 |
| 86.1059.    | FES        | -                    | .00               | 45  | 30  | 5 | 12      | 6 |
| 86.1060.    | FES        | -                    | .00               | 45  | 60  | 5 | 12      | 6 |
| 86.1061.    | FES        | -                    | .00               | 45  | 160 | 5 | 12      | 6 |
| 86.1062.    | FES        | -                    | .00               | 45  | 200 | 5 | 12      | 6 |
| 86.1063.    | FES        | -                    | .00               | 45  | 240 | 5 | 12      | 6 |
| 86.1064.    | FES        | FMS                  | .00               | 50  | 60  | 5 | 12      | 6 |
| 86.1065.    | FES        | FMS                  | .00               | 50  | 120 | 5 | 12      | 6 |
| 86.1066.    | FES        | FMS                  | .00               | 50  | 160 | 5 | 12      | 6 |
| 86.1067.    | FES        | FMS                  | .00               | 50  | 200 | 5 | 12      | 6 |
| 86.1068.    | FES        | -                    | .00               | 50  | 240 | 5 | 12      | 6 |
| 86.1069.    | FES        | FMS                  | .00               | 60  | 60  | 5 | 12      | 6 |
| 86.1070.    | FES        | FMS                  | .00               | 60  | 120 | 5 | 12      | 6 |
| 86.1071.    | FES        | FMS                  | .00               | 60  | 160 | 5 | 12      | 6 |
| 86.1072.    | FES        | FMS                  | .00               | 60  | 200 | 5 | 12      | 6 |
| 86.1073.    | FES        | -                    | .00               | 80  | 60  | 5 | 12      | 6 |
| 86.1074.    | FES        | -                    | .00               | 80  | 120 | 5 | 12      | 6 |
| 86.1075.    | FES        | -                    | .00               | 80  | 160 | 5 | 12      | 6 |
| 86.1076.    | FES        | -                    | .00               | 100 | 60  | 5 | 12      | 6 |
| 86.1077.    | FES        | -                    | .00               | 100 | 120 | 5 | 12      | 6 |
| 86.1078.    | FES        | -                    | .00               | 100 | 160 | 5 | 12      | 6 |

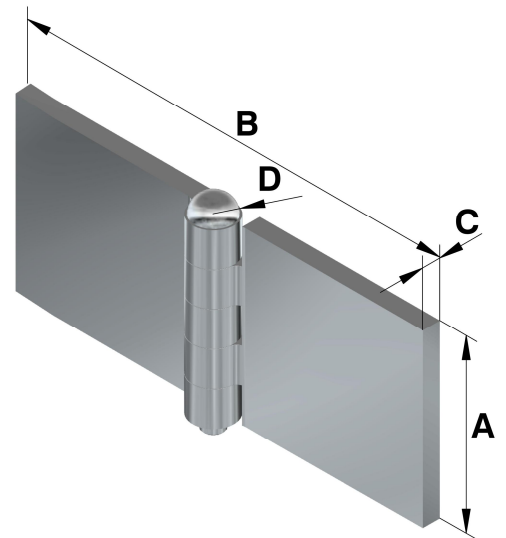
## Profilscharniere und Gelenkbänder nach DIN 31211

### Profilscharniere 5mm

mit Halbrundkopfstift

FVS mit festem Edelstahlstift

| Artikel Nr. |            |                          | Abmessungen in mm |     |   |    |            |
|-------------|------------|--------------------------|-------------------|-----|---|----|------------|
| Art.Nr.     | Ausführung | Werkstoff                | A                 | B   | C | D  | Stift<br>Ø |
|             |            | unbehandelt<br>Edelstahl |                   |     |   |    |            |
| 86.1168.    | FVS        | .30                      | 50                | 60  | 5 | 12 | 6          |
| 86.1169.    | FVS        | .30                      | 50                | 100 | 5 | 12 | 6          |



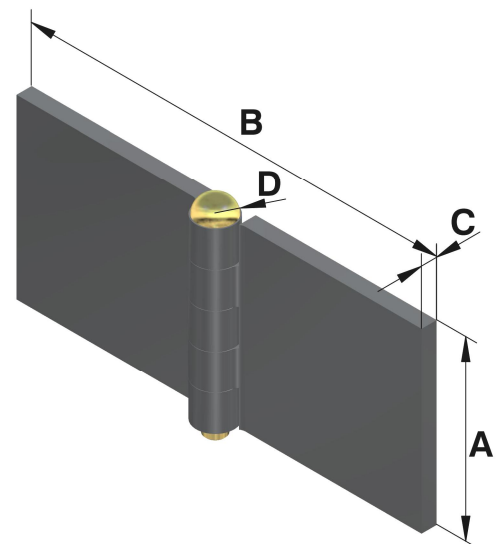
### Profilscharniere 6mm

mit Halbrundkopfstift

FES mit festem Stahlstift

FMS mit festem Messingstift

| Artikel Nr. |            |                      |     | Abmessungen in mm |     |   |            |   |
|-------------|------------|----------------------|-----|-------------------|-----|---|------------|---|
| Art.Nr.     | Ausführung | Werkstoff            | A   | B                 | C   | D | Stift<br>Ø |   |
|             |            | unbehandelt<br>Stahl |     |                   |     |   |            |   |
| 86.1079.    | FES        | -                    | .00 | 40                | 160 | 6 | 15         | 8 |
| 86.1080.    | FES        | -                    | .00 | 45                | 160 | 6 | 15         | 8 |
| 86.1081.    | FES        | -                    | .00 | 45                | 200 | 6 | 15         | 8 |
| 86.1082.    | FES        | -                    | .00 | 45                | 240 | 6 | 15         | 8 |
| 86.1083.    | FES        | FMS                  | .00 | 50                | 160 | 6 | 15         | 8 |
| 86.1084.    | FES        | FMS                  | .00 | 50                | 200 | 6 | 15         | 8 |
| 86.1085.    | FES        | FMS                  | .00 | 50                | 240 | 6 | 15         | 8 |
| 86.1086.    | FES        | FMS                  | .00 | 60                | 160 | 6 | 15         | 8 |
| 86.1087.    | FES        | FMS                  | .00 | 60                | 200 | 6 | 15         | 8 |
| 86.1088.    | -          | FMS                  | .00 | 60                | 240 | 6 | 15         | 8 |
| 86.1089.    | FES        | FMS                  | .00 | 70                | 160 | 6 | 15         | 8 |
| 86.1090.    | FES        | FMS                  | .00 | 70                | 200 | 6 | 15         | 8 |
| 86.1091.    | FES        | FMS                  | .00 | 70                | 240 | 6 | 15         | 8 |
| 86.1092.    | FES        | FMS                  | .00 | 80                | 160 | 6 | 15         | 8 |
| 86.1093.    | FES        | FMS                  | .00 | 80                | 200 | 6 | 15         | 8 |
| 86.1094.    | FES        | FMS                  | .00 | 80                | 240 | 6 | 15         | 8 |
| 86.1095.    | FES        | -                    | .00 | 80                | 300 | 6 | 15         | 8 |
| 86.1096.    | FES        | FMS                  | .00 | 100               | 160 | 6 | 15         | 8 |
| 86.1097.    | FES        | FMS                  | .00 | 100               | 200 | 6 | 15         | 8 |
| 86.1098.    | FES        | FMS                  | .00 | 100               | 240 | 6 | 15         | 8 |



## Profilscharniere und Gelenkbänder nach DIN 31211

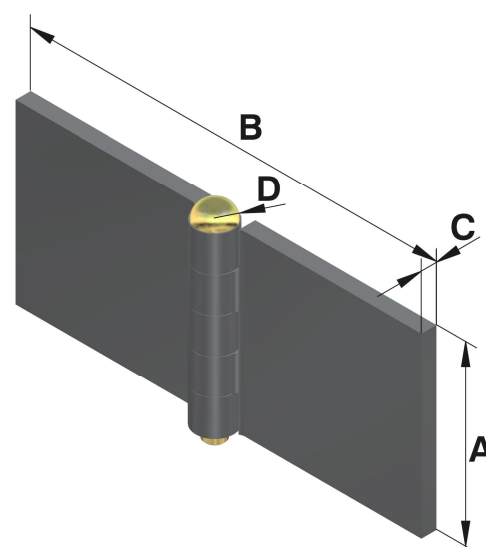
### Profilscharniere 7mm

mit Halbrundkopfstift

FES mit festem Stahlstift

FMS mit festem Messingstift

| Artikel Nr. |            |             | Abmessungen in mm |     |     |   |    |            |
|-------------|------------|-------------|-------------------|-----|-----|---|----|------------|
| Art.Nr.     | Ausführung | Werkstoff   |                   | A   | B   | C | D  | Stift<br>Ø |
|             |            | unbehandelt | Stahl             |     |     |   |    |            |
| 86.1099.    | FES        | FMS         | .00               | 60  | 80  | 7 | 16 | 8          |
| 86.1100.    | FES        | FMS         | .00               | 60  | 160 | 7 | 16 | 8          |
| 86.1101.    | FES        | FMS         | .00               | 60  | 200 | 7 | 16 | 8          |
| 86.1102.    | FES        | FMS         | .00               | 60  | 240 | 7 | 16 | 8          |
| 86.1103.    | FES        | FMS         | .00               | 60  | 300 | 7 | 16 | 8          |
| 86.1104.    | FES        | FMS         | .00               | 70  | 160 | 7 | 16 | 8          |
| 86.1105.    | FES        | FMS         | .00               | 70  | 200 | 7 | 16 | 8          |
| 86.1106.    | FES        | FMS         | .00               | 70  | 240 | 7 | 16 | 8          |
| 86.1107.    | FES        | FMS         | .00               | 70  | 300 | 7 | 16 | 8          |
| 86.1108.    | FES        | FMS         | .00               | 80  | 80  | 7 | 16 | 8          |
| 86.1109.    | FES        | FMS         | .00               | 80  | 160 | 7 | 16 | 8          |
| 86.1110.    | FES        | FMS         | .00               | 80  | 200 | 7 | 16 | 8          |
| 86.1111.    | FES        | FMS         | .00               | 80  | 240 | 7 | 16 | 8          |
| 86.1112.    | FES        | FMS         | .00               | 80  | 300 | 7 | 16 | 8          |
| 86.1113.    | FES        | FMS         | .00               | 100 | 160 | 7 | 16 | 8          |
| 86.1114.    | FES        | FMS         | .00               | 100 | 200 | 7 | 16 | 8          |
| 86.1115.    | FES        | FMS         | .00               | 100 | 240 | 7 | 16 | 8          |
| 86.1116.    | FES        | FMS         | .00               | 100 | 300 | 7 | 16 | 8          |

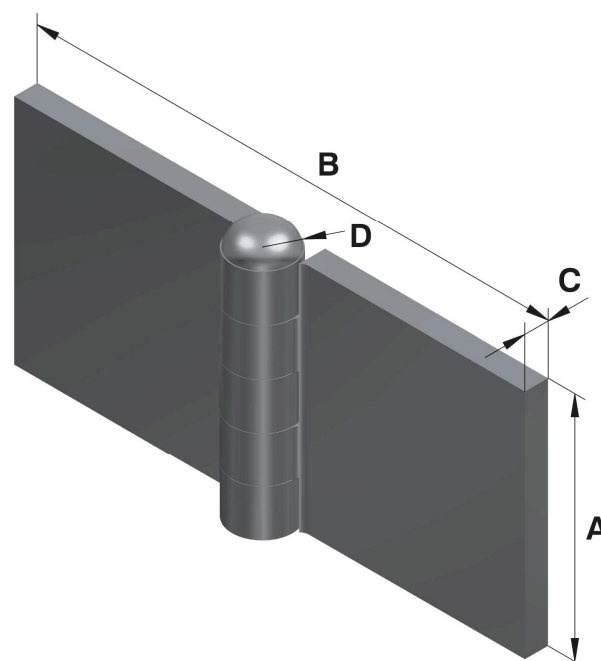


### Profilscharniere 10mm

mit Halbrundkopfstift

FES mit festem Stahlstift

| Artikel Nr. |            |             | Abmessungen in mm |     |     |    |    |            |
|-------------|------------|-------------|-------------------|-----|-----|----|----|------------|
| Art.Nr.     | Ausführung | Werkstoff   |                   | A   | B   | C  | D  | Stift<br>Ø |
|             |            | unbehandelt | Stahl             |     |     |    |    |            |
| 86.1117.    | FES        |             | .00               | 100 | 220 | 10 | 26 | 13         |



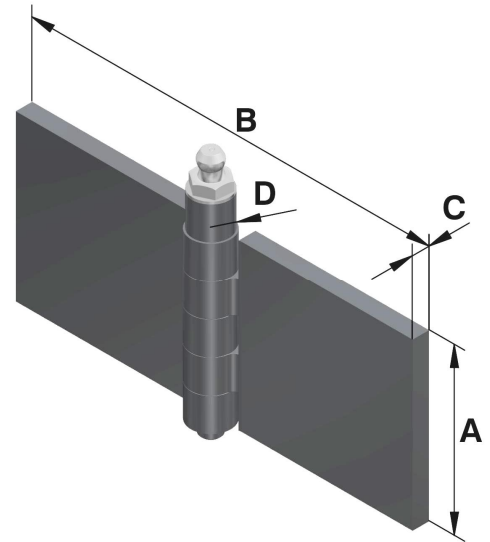
## Profilscharniere

und Gelenkbänder nach DIN 31211

### Profilscharniere 5mm

mit Bund-Schmierstift und Schmiernippel

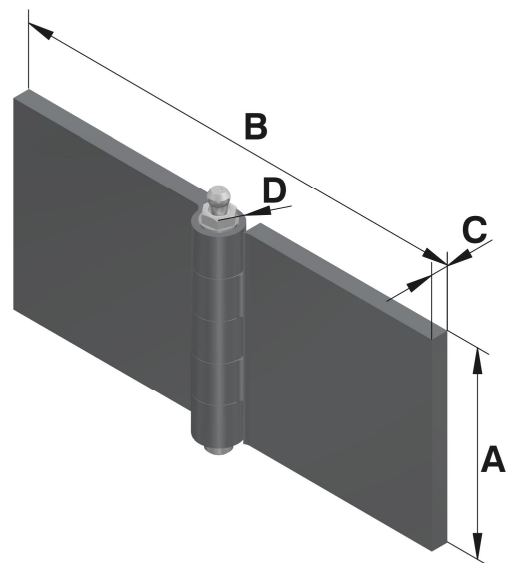
| Artikel Nr. |            |                      | Abmessungen in mm |     |   |    |         |
|-------------|------------|----------------------|-------------------|-----|---|----|---------|
| Art.Nr.     | Ausführung | Werkstoff            | A                 | B   | C | D  | Stift Ø |
|             |            | unbehandelt<br>Stahl |                   |     |   |    |         |
| 86.1118.    | SN         | .00                  | 40                | 60  | 5 | 12 | 6       |
| 86.1119.    | SN         | .00                  | 40                | 120 | 5 | 12 | 6       |
| 86.1120.    | SN         | .00                  | 40                | 160 | 5 | 12 | 6       |
| 86.1121.    | SN         | .00                  | 40                | 200 | 5 | 12 | 6       |
| 86.1122.    | SN         | .00                  | 40                | 240 | 5 | 12 | 6       |
| 86.1123.    | SN         | .00                  | 50                | 60  | 5 | 12 | 6       |
| 86.1124.    | SN         | .00                  | 50                | 120 | 5 | 12 | 6       |
| 86.1125.    | SN         | .00                  | 50                | 160 | 5 | 12 | 6       |
| 86.1126.    | SN         | .00                  | 50                | 200 | 5 | 12 | 6       |
| 86.1127.    | SN         | .00                  | 50                | 240 | 5 | 12 | 6       |
| 86.1128.    | SN         | .00                  | 60                | 60  | 5 | 12 | 6       |
| 86.1129.    | SN         | .00                  | 60                | 120 | 5 | 12 | 6       |
| 86.1130.    | SN         | .00                  | 60                | 160 | 5 | 12 | 6       |
| 86.1131.    | SN         | .00                  | 60                | 200 | 5 | 12 | 6       |
| 86.1132.    | SN         | .00                  | 60                | 240 | 5 | 12 | 6       |



### Profilscharniere 6mm

mit Schmierstift und Schmiernippel

| Artikel Nr. |            |                      | Abmessungen in mm |     |   |    |         |
|-------------|------------|----------------------|-------------------|-----|---|----|---------|
| Art.Nr.     | Ausführung | Werkstoff            | A                 | B   | C | D  | Stift Ø |
|             |            | unbehandelt<br>Stahl |                   |     |   |    |         |
| 86.1133.    | SN         | .00                  | 40                | 160 | 6 | 15 | 8       |
| 86.1134.    | SN         | .00                  | 50                | 160 | 6 | 15 | 8       |
| 86.1135.    | SN         | .00                  | 50                | 200 | 6 | 15 | 8       |
| 86.1136.    | SN         | .00                  | 50                | 240 | 6 | 15 | 8       |
| 86.1137.    | SN         | .00                  | 60                | 160 | 6 | 15 | 8       |
| 86.1138.    | SN         | .00                  | 60                | 200 | 6 | 15 | 8       |
| 86.1139.    | SN         | .00                  | 60                | 240 | 6 | 15 | 8       |
| 86.1140.    | SN         | .00                  | 70                | 160 | 6 | 15 | 8       |
| 86.1141.    | SN         | .00                  | 70                | 200 | 6 | 15 | 8       |
| 86.1142.    | SN         | .00                  | 70                | 240 | 6 | 15 | 8       |
| 86.1143.    | SN         | .00                  | 80                | 160 | 6 | 15 | 8       |
| 86.1144.    | SN         | .00                  | 80                | 200 | 6 | 15 | 8       |
| 86.1145.    | SN         | .00                  | 80                | 240 | 6 | 15 | 8       |
| 86.1146.    | SN         | .00                  | 100               | 160 | 6 | 15 | 8       |
| 86.1147.    | SN         | .00                  | 100               | 200 | 6 | 15 | 8       |
| 86.1148.    | SN         | .00                  | 100               | 240 | 6 | 15 | 8       |

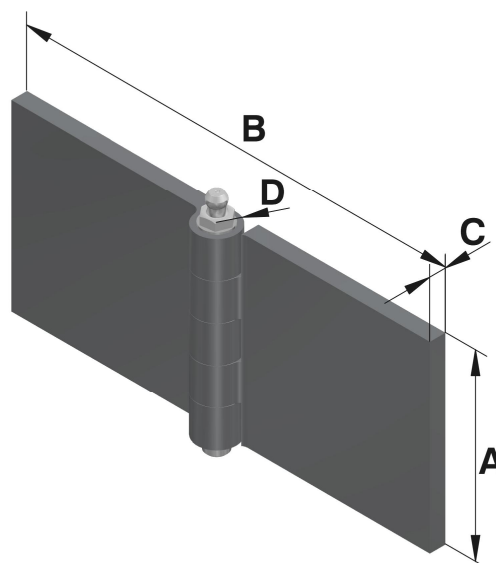




## Profilscharniere und Gelenkbänder nach DIN 31211

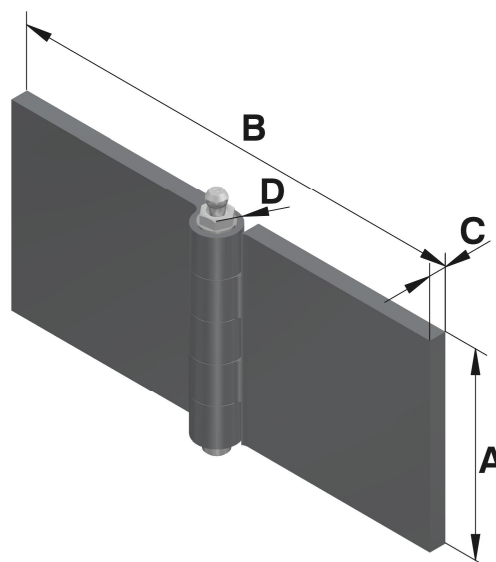
### Profilscharniere 7mm mit Schmierstift und Schmiernippel

| Artikel Nr. |            |                                   | Abmessungen in mm |     |   |    |            |
|-------------|------------|-----------------------------------|-------------------|-----|---|----|------------|
| Art.Nr.     | Ausführung | Werkstoff<br>unbehandelt<br>Stahl | A                 | B   | C | D  | Stift<br>Ø |
| 86.1149.    | SN         | .00                               | 60                | 80  | 7 | 16 | 8          |
| 86.1150.    | SN         | .00                               | 60                | 160 | 7 | 16 | 8          |
| 86.1151.    | SN         | .00                               | 60                | 200 | 7 | 16 | 8          |
| 86.1152.    | SN         | .00                               | 60                | 240 | 7 | 16 | 8          |
| 86.1153.    | SN         | .00                               | 60                | 300 | 7 | 16 | 8          |
| 86.1154.    | SN         | .00                               | 70                | 160 | 7 | 16 | 8          |
| 86.1155.    | SN         | .00                               | 70                | 200 | 7 | 16 | 8          |
| 86.1156.    | SN         | .00                               | 70                | 240 | 7 | 16 | 8          |
| 86.1157.    | SN         | .00                               | 70                | 300 | 7 | 16 | 8          |
| 86.1158.    | SN         | .00                               | 80                | 80  | 7 | 16 | 8          |
| 86.1159.    | SN         | .00                               | 80                | 160 | 7 | 16 | 8          |
| 86.1160.    | SN         | .00                               | 80                | 200 | 7 | 16 | 8          |
| 86.1161.    | SN         | .00                               | 80                | 240 | 7 | 16 | 8          |
| 86.1162.    | SN         | .00                               | 80                | 300 | 7 | 16 | 8          |
| 86.1163.    | SN         | .00                               | 100               | 160 | 7 | 16 | 8          |
| 86.1164.    | SN         | .00                               | 100               | 200 | 7 | 16 | 8          |
| 86.1165.    | SN         | .00                               | 100               | 240 | 7 | 16 | 8          |
| 86.1166.    | SN         | .00                               | 100               | 300 | 7 | 16 | 8          |



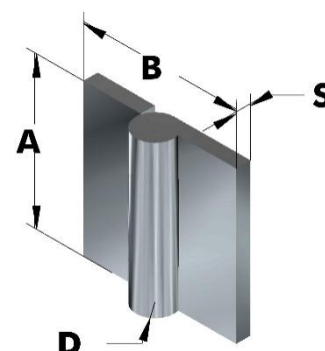
### Profilscharniere 10mm mit Schmierstift und Schmiernippel

| Artikel Nr. |            |                                   | Abmessungen in mm |     |    |    |            |
|-------------|------------|-----------------------------------|-------------------|-----|----|----|------------|
| Art.Nr.     | Ausführung | Werkstoff<br>unbehandelt<br>Stahl | A                 | B   | C  | D  | Stift<br>Ø |
| 86.1167.    | SN         | .00                               | 100               | 240 | 10 | 26 | 13         |



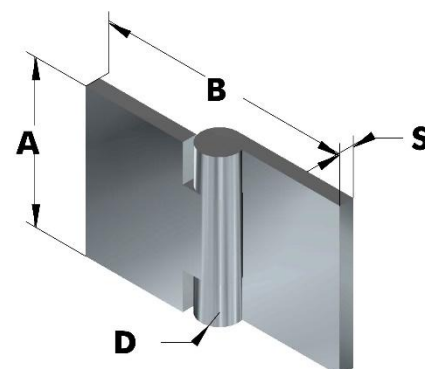
## Profilscharniere und Gelenkbänder nach DIN 31211

Art.Nr.:6059 Profilscharnier  
mit vernietetem Stift



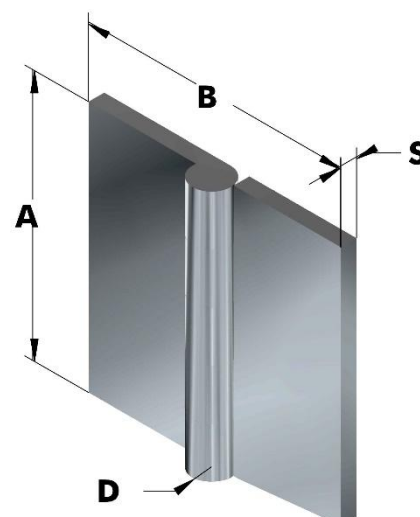
| Artikel Nr. |            |             |             | Abmessungen in mm |     |    |   |   |         |
|-------------|------------|-------------|-------------|-------------------|-----|----|---|---|---------|
| Serie       | Ausführung | Werkstoff   |             | A                 | B   | D  | E | S | Stift Ø |
|             |            | unbehandelt | unbehandelt |                   |     |    |   |   |         |
|             |            | Stahl       | Edelstahl   |                   |     |    |   |   |         |
| 6059        | .01        | .00         | -           | 32                | 32  | 8  | 4 | 3 | 4       |
| 6059        | .02        | .00         | -           | 32                | 50  | 8  | 4 | 3 | 4       |
| 6059        | .03        | .00         | .30         | 50                | 50  | 8  | 4 | 3 | 4       |
| 6059        | .04        | .00         | -           | 50                | 80  | 8  | 4 | 3 | 4       |
| 6059        | .05        | .00         | -           | 50                | 50  | 12 | 6 | 5 | 6       |
| 6059        | .06        | .00         | .30         | 50                | 80  | 12 | 6 | 5 | 6       |
| 6059        | .07        | .00         | -           | 50                | 100 | 8  | 4 | 3 | 4       |

Art.Nr.:6060 Profilscharnier  
mit vernietetem Stift



| Artikel Nr. |            |             |             | Abmessungen in mm |    |    |   |   |         |
|-------------|------------|-------------|-------------|-------------------|----|----|---|---|---------|
| Serie       | Ausführung | Werkstoff   |             | A                 | B  | D  | E | S | Stift Ø |
|             |            | unbehandelt | unbehandelt |                   |    |    |   |   |         |
|             |            | Stahl       | Edelstahl   |                   |    |    |   |   |         |
| 6060        | .02        | .00         | -           | 32                | 50 | 8  | 4 | 3 | 4       |
| 6060        | .03        | .00         | .30         | 50                | 50 | 8  | 4 | 3 | 4       |
| 6060        | .04        | -           | .30         | 50                | 80 | 8  | 4 | 3 | 4       |
| 6060        | .05        | .00         | -           | 50                | 50 | 12 | 6 | 5 | 6       |
| 6060        | .06        | .00         | -           | 50                | 80 | 12 | 6 | 5 | 6       |

Art.Nr.:6061 Profilscharnier  
mit vernietetem Stift

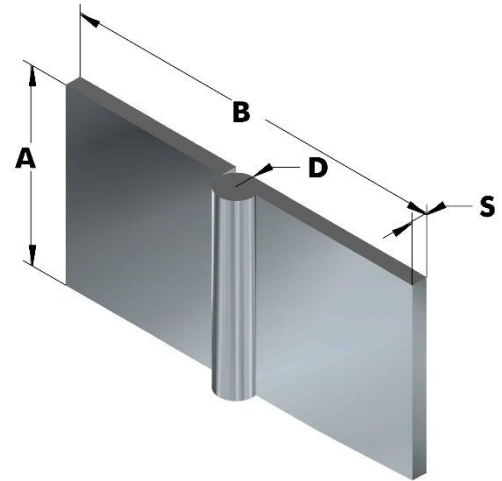


| Artikel Nr. |            |             |             | Abmessungen in mm |     |    |    |   |         |
|-------------|------------|-------------|-------------|-------------------|-----|----|----|---|---------|
| Serie       | Ausführung | Werkstoff   |             | A                 | B   | D  | E  | S | Stift Ø |
|             |            | unbehandelt | unbehandelt |                   |     |    |    |   |         |
|             |            | Stahl       | Edelstahl   |                   |     |    |    |   |         |
| 6061        | .01        | .00         | .30         | 80                | 80  | 12 | 6  | 5 | 6       |
| 6061        | .02        | .00         | -           | 80                | 130 | 12 | 6  | 5 | 6       |
| 6061        | .03        | .00         | -           | 125               | 80  | 12 | 6  | 5 | 6       |
| 6061        | .04        | .00         | -           | 80                | 80  | 20 | 10 | 8 | 10      |
| 6061        | .05        | .00         | -           | 80                | 130 | 20 | 10 | 8 | 10      |
| 6061        | .06        | .00         | -           | 125               | 130 | 20 | 10 | 8 | 10      |

## Profilscharniere und Gelenkbänder nach DIN 31211

Art.Nr.:6024 Profilscharnier  
mit ausziehbarem Messingstift

| Artikel Nr. |            |             | Abmessungen in mm |     |    |   |            |
|-------------|------------|-------------|-------------------|-----|----|---|------------|
| Serie       | Ausführung | Werkstoff   | A                 | B   | D  | S | Stift<br>Ø |
|             |            | unbehandelt |                   |     |    |   |            |
|             |            | Edelstahl   |                   |     |    |   |            |
| 6024        | .01        | .30         | 60                | 120 | 12 | 5 | 6          |



## Profilscharniere und Gelenkbänder nach DIN 31211

---

---



Phone:  
Fax:  
Email:  
Homepage:

+49 (0) 231 / 725 790 -0  
+49 (0) 231 / 725 790 -10  
[info@hokon-verschluss technik.de](mailto:info@hokon-verschluss technik.de)  
[www.hokon-verschluss technik.de](http://www.hokon-verschluss technik.de)